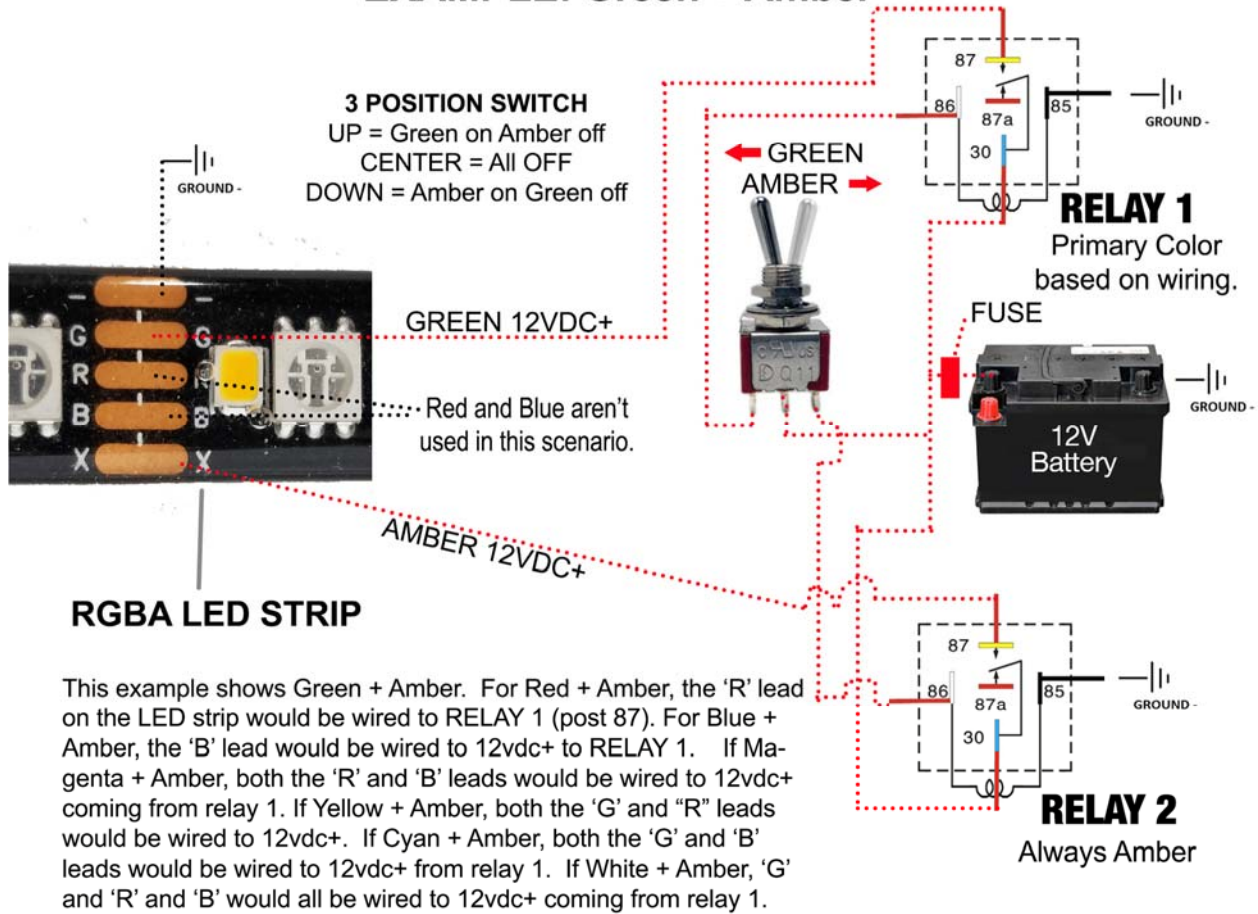


Wiring DUAL COLOR with RGBA LED Strip

EXAMPLE: Green + Amber



Note that POLE 87a on both relays are not used. They MUST be capped and sealed.

HEAVY DUTY (HD) DUAL COLOR. The HD Dual Color led strips have 5 power leads: Black, Red, Green, Blue and Yellow. The Yellow wire matches up with the AMBER LED diode. The Black wire is ground. The Red, Green and Blue wires match up with their respective LED diodes on the LED strip.

LOW PROFILE (LP) DUAL COLOR. The LP Dual Color led strips have 5 power leads: Black, Red, Green, Blue and White. The White wire matches up with the AMBER LED diode. The Black wire is ground. The Red, Green and Blue wires match up with their respective LED diodes on the LED strip.

See chart on next page.

DUAL COLOR CONFIGURATION	POWER LEAD WIRE COLOR				
	Black/GND (12VDC-)	Red (12VDC+)	Green (12VDC+)	Blue (12VDC+)	White or Yellow* (12VDC+)
Power Polarity>					
Relay #>	1, 2	1	1	1	2
Red + Amber	X	X			X
Green + Amber	X		X		X
Blue + Amber	X			X	X
Magenta + Amber	X	X		X	X
Yellow + Amber	X	X	X		X
Cyan + Amber	X		X	X	X
White + Amber	X	X	X	X	X

*HD strips have a YELLOW power lead wire. Low Profile LED strips have a WHITE power lead wire.

Note: The 12vdc+ connections are wired to POLE 87 on their respective relays as indicated.